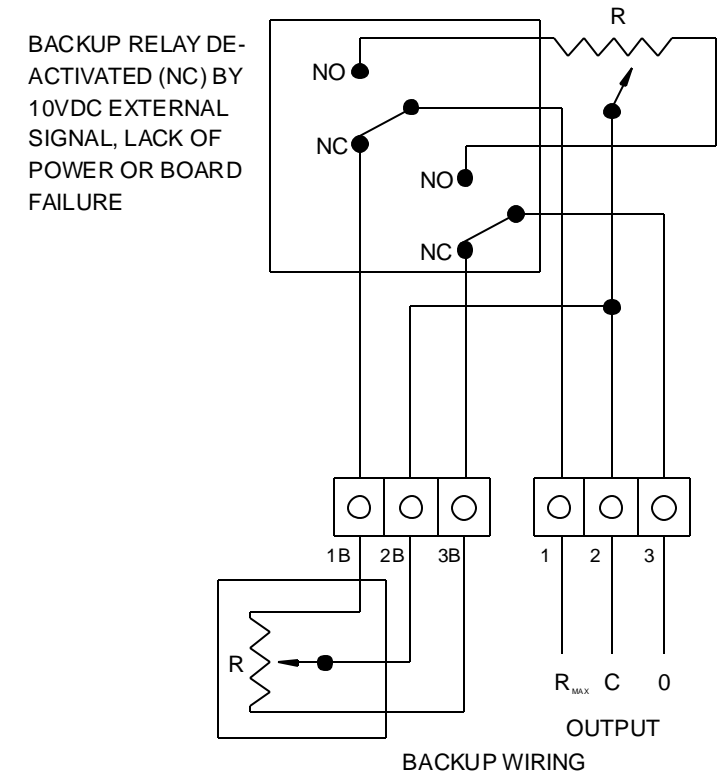


**INPUTS**

**VARIABLE RESISTANCE OUTPUT**

AT 0 V (4mA) RESISTANCE  
 BETWEEN 2 & 3 = 0 Ohm,  
 BETWEEN 2 & 1 = xxx Ohm

- L1 - PROCESSOR STATUS (GREEN)
- L2 - MANUAL OVERRIDE (RED)
- L3 - 4-20mA LOOP STATUS (AMBER)
- L4 - BACKUP RELAY STATUS (GREEN)  
(ON IN NORMAL MODE OPERATION)
- L5 - L10 - OUTPUT STATUS INDICATORS (BINARY CODE)
- J1 - MANUAL/AUTO JUMPER (MANUAL MODE POS.1&2)
- VR - OUTPUT OVERRIDE TRIM POT (IN MANUAL)



**BACKUP WIRING**

<b>ELCOR Technologies Inc.</b>		
DRAWN: PCK	TITLE: ETRxx-B - VARIABLE RESISTANCE INTERFACE WIRING LAYOUT	CODE:
CHECKED: CKK		
DATE: 96/11/16	FILE: ..\tscad_drawings\ETR_WR.T4G	SHEET: 1 OF 1