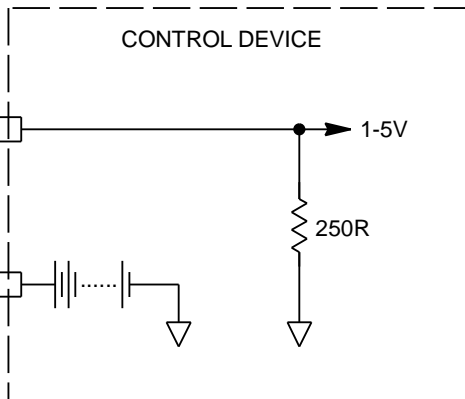
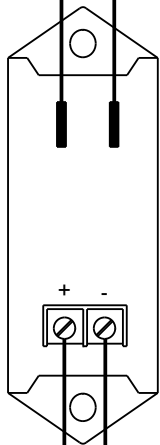
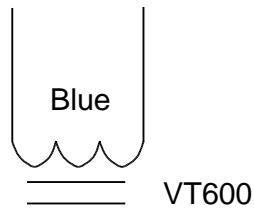


LINE VOLTAGE



THIS DEVICE IS TO BE USED ONLY WITH
A RECOGNIZED VOLTAGE TRANSFORMER.
DO NOT WIRE LINE VOLTAGE ANYWHERE
TO THIS DEVICE DIRECTLY.

LOOP POWERED DEVICE

Loop Excitation: 12 - 35VDC

Max Loop Impedance: 1000R @ 24V SUPPLY

Input: Low Voltage from VT600

See device label for full scale calibration

Accuracy: 0.5% of Full Scale
crest factors up to 4.

**NOTE: THIS IS A LOW POWER, LOW VOLTAGE
DEVICE (CLASS 2). USE ONLY WITH RECOGNIZED
VOLTAGE TRANSFORMERS!**

$$\text{Volts (RMS)} = (\text{mA Reading} - 4) \left(x \frac{\text{Full Scale Volts}}{16} \right)$$

ELKOR Technologies Inc.

DRAWN: PCK	TITLE: i-Snail-VT: 4-20 mA Loop Powered Voltage Transducer	CODE:
CHECKED: CKK		
DATE: 11/14/2008	FILE: ..i-Snail-VT2.t4g	SHEET: 1 OF 1