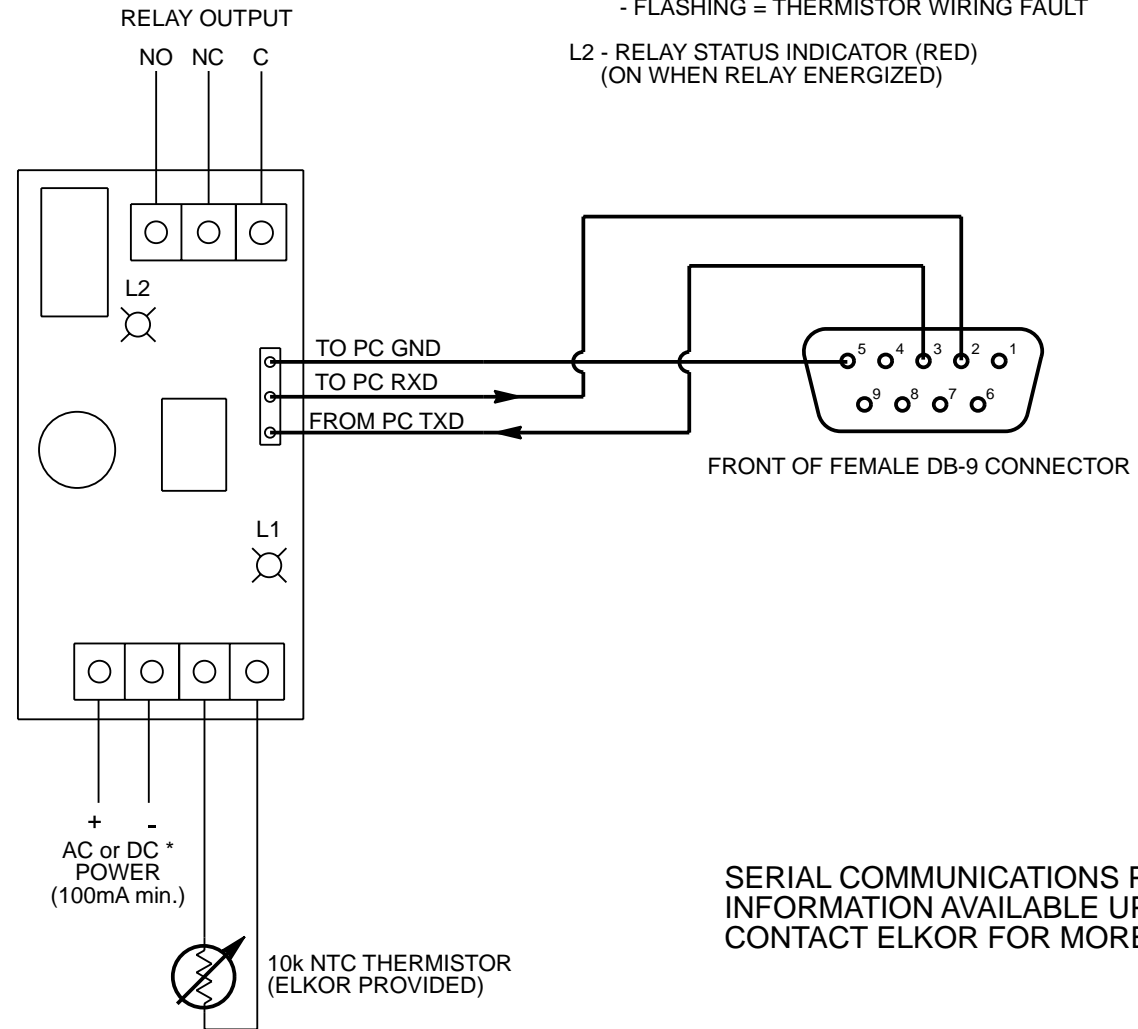


FACTORY DEFAULTS:

MODE : RANGE
 ON TEMPERATURE : 20°C
 OFF TEMPERATURE : 25°C
 SHORT CYCLE TIME : 5 seconds



L1 - STATUS INDICATOR (GREEN)
 - SOLID = POWER ON, STATUS OK
 - FLASHING = THERMISTOR WIRING FAULT
 L2 - RELAY STATUS INDICATOR (RED)
 (ON WHEN RELAY ENERGIZED)

SERIAL COMMUNICATIONS PROTOCOL
 INFORMATION AVAILABLE UPON REQUEST.
 CONTACT ELKOR FOR MORE INFORMATION.

*** NOTE: ACCEPTS 12-24 VDC or 18-24 VAC
 12-15VDC RECOMMENDED**

ELKOR Technologies Inc.		
DRAWN: PCK	TITLE: ETTR - PROGRAMMABLE TEMPERATURE RELAY	CODE:
CHECKED: CKK		
DATE: 2007/09/11	FILE: ..\tscad_drawings\ETTR.T4G	SHEET: 1 OF 1