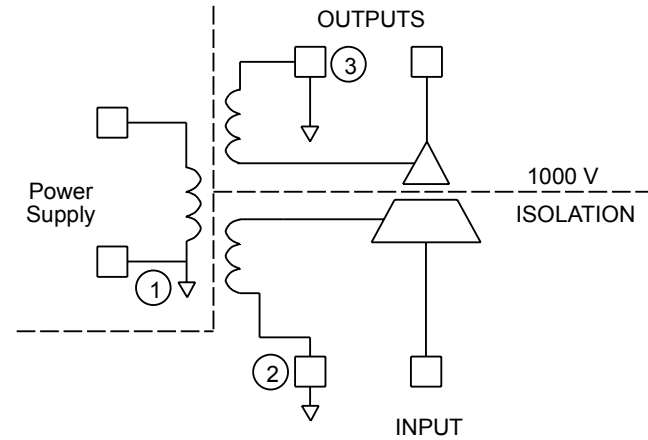


Output Current (4-20mA)
 Output Voltage (0-10VDC)
 Power Supply Indication
 Output Common



Power Supply
 15-50VDC
 15-36VAC

Input Signal
 0-5VDC, 0-10VDC or custom
 (factory configured)



SIMPLIFIED SCHMATIC

Power Supply, Input and Output are all isolated;
 1000 VDC isolation (minimum)

4-20mA and 0-10VDC may be used simultaneously,
 however they are not isolated from one another.

Current output (sourcing) $R_{max} < 850\text{ohm}$.

ELKOR Technologies Inc.

DRAWN: PCK	TITLE: ETISO - Analog Signal Isolator	CODE:
CHECKED: CKK		
DATE: 2007/12/13	FILE: ..\ETISO.t4g	SHEET: 1 OF 1