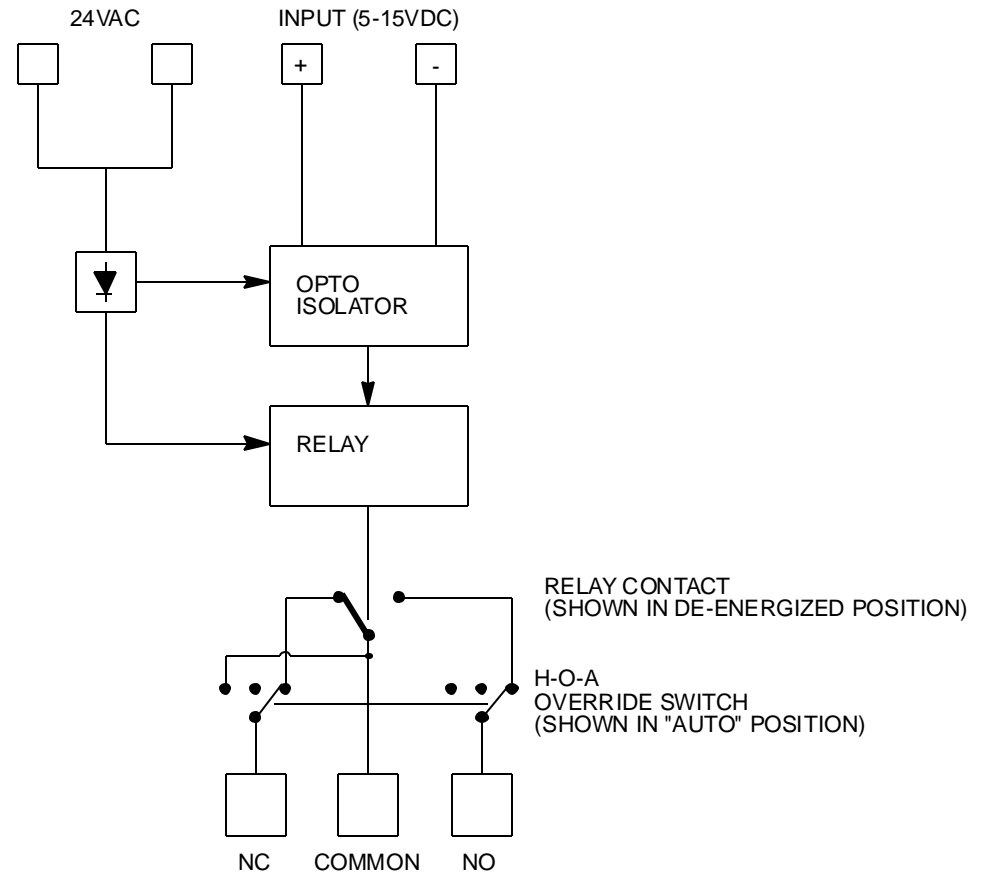


WIRING DIAGRAM



FUNCTIONAL DIAGRAM (ONE CHANNEL SHOWN)

INPUT: 10VDC (LESS THAN 15mA)  
 PICK-UP VOLTAGE MIN 5VDC  
 MAX INPUT VOLTAGE: 15VDC

OUTPUT: TWO SPDT CONTACTS - RATED 5A 120 VAC

L1 - GREEN LED - "POWER ON"  
 L2,L3 - YELLOW LED INPUT STATUS INDICATION

**ELCOR** Technologies Inc.

DRAWN: PCK	TITLE: ETDOC - DIGITAL OUTPUT CONTROL	CODE:
CHECKED: CKK		
DATE: 09/09/30	FILE: ..\tscad_drawings\ETDOC.T4G	SHEET: 1 OF 1