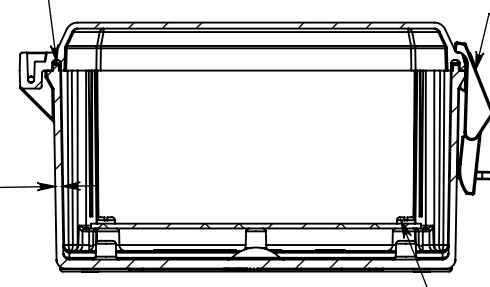


STAINLESS STEEL HINGE PIN

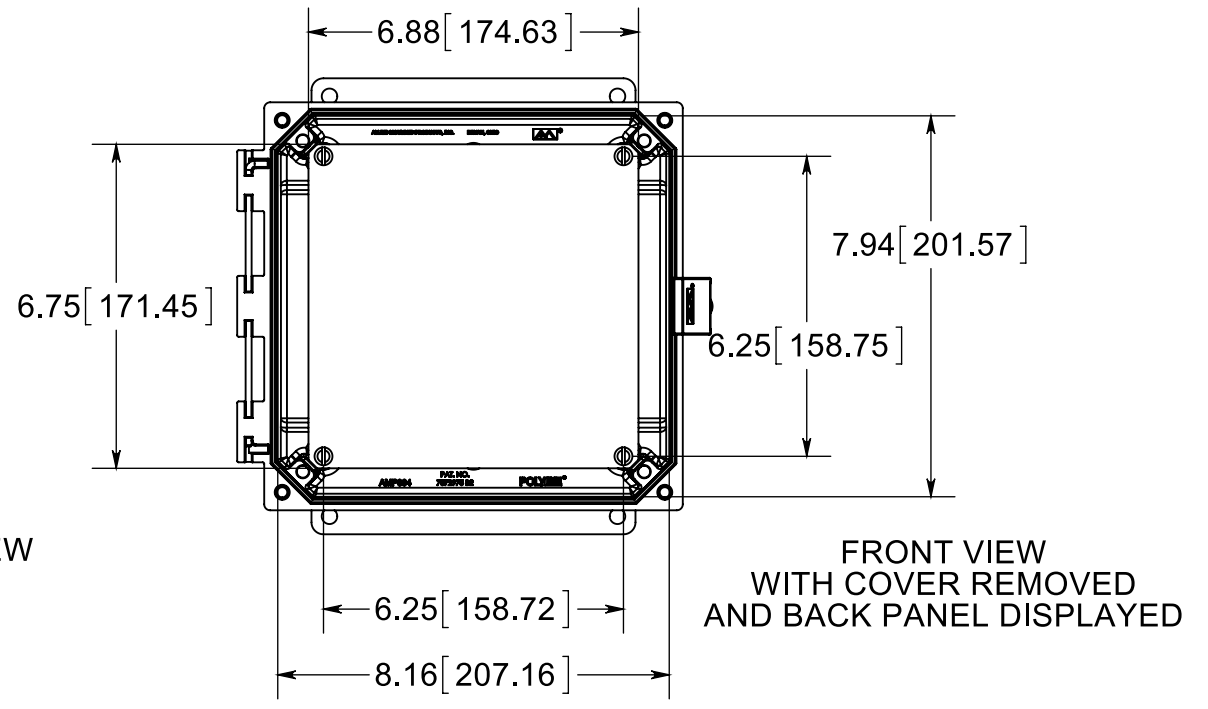
CLOSED CELL NEOPRENE GASKET

.14 [3.68]



NON-METALLIC LOCKABLE SNAP LATCH LOCATED ON CENTER

(4) EACH #10-32 BRASS INSERTS AND PLATED CARBON STEEL TRUSS SCREW



FRONT VIEW WITH COVER REMOVED AND BACK PANEL DISPLAYED

MATERIAL:
 BOX - INJECTED POLYCARBONATE
 STANDARD COVER - INJECTED POLYCARBONATE
 CLEAR COVER - INJECTED POLYCARBONATE

ELHOR Technologies Inc.

DRAWN: PCK	TITLE: WattsOn-Mark II Metering Kit	CODE:
CHECKED: CKK	Dimensions	
DATE: 2017/11/12	FILE: ..\W2-Kit-Dimensions.svg	SHEET: 1 of 1